



Chinese Lawn 1 Double Headstone Order Form

All headstone order forms to be completed at the time of purchase.

Allotment Details				
Deceased Name				
Zone		Section		Allotment

Licence Holder/Applicant Details

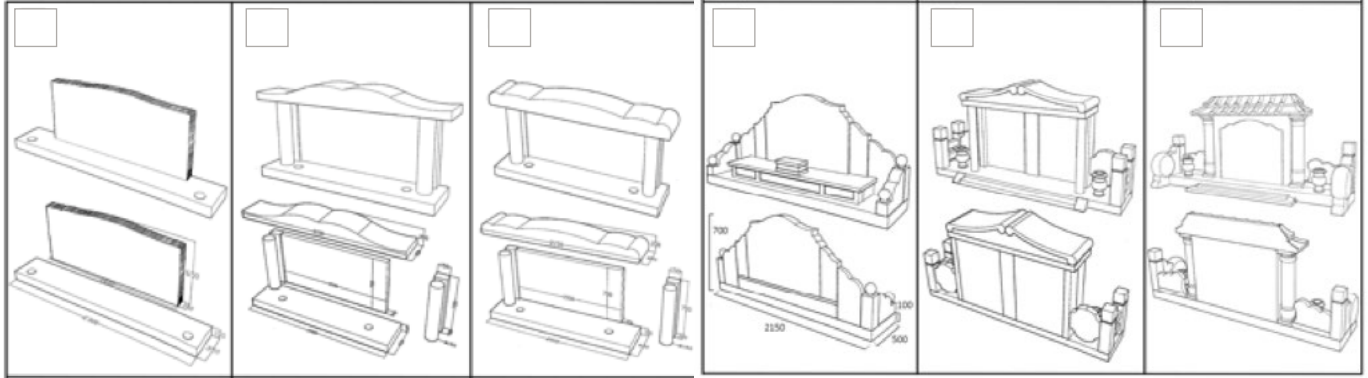
Licence Holder 1 / Applicant Details			
Name			
Address			
Phone		Email	
Signature		Date	

Licence Holder 2 / Applicant Details			
Name			
Address			
Phone		Email	
Signature		Date	

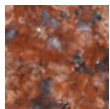
Please complete inscription details on the next page.

Instructions

Select Headstone



Select Granite Colour



Imperial Red



Blue Pearl



Light Grey



Glory Black



Select Vase Insert Colour (if applicable)

Silver or gold insert only, granite vase is not included.



Gold



Silver



Kindly send completed form to memorials@rookwoodcemetery.com.au